

Embrace 5G, Co-Create the Digital Era.

InRouter624 series

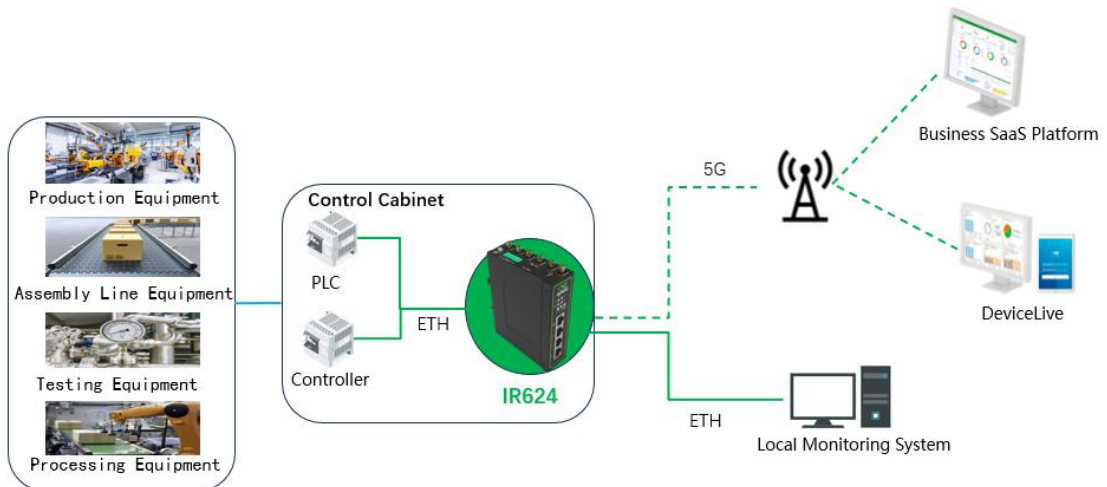
- 5G
- Wi-Fi 5
- Security
- Cloud-Managed



The InRouter624 (IR624) series by InHand Networks is designed to assist enterprises in digital transformation. Integrated with 5G/4G, Wi-Fi, VPN, and more, it offers efficient, secure, and intelligent connectivity solutions for various IoT industries. With a multi-level link detection mechanism, the IR624 ensures stable communication for unattended industrial sites. Paired with InHand Networks' DeviceLive IoT management platform, it aids users in achieving centralized cloud management and remote maintenance. This allows for easy monitoring of device status, reducing deployment costs, and enhancing management efficiency.



Solution



Features and Advantages

Ubiquitous network access: 5G

IR624 features 5G cellular high-speed network access with a downlink speed of up to 2Gbps, providing a comprehensive enhancement to the new network experience. The characteristics of high bandwidth and low latency contribute to building a more powerful and efficient next-generation network, allowing you to fully experience the remarkable charm of 5G.



“Always-on” connectivity

IR624 is equipped with various features, including link backup, link detection, dual SIM switching, watchdog, etc., to ensure the reliability and stability of connections. This reduces the risk of network failures, saves network investment costs, and provides a worry-free new experience of network services!



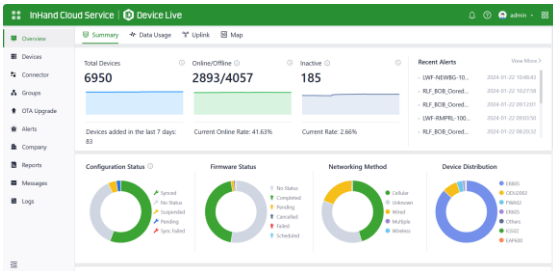
Secure Network Connection

IR624 integrates multiple layers of security policies, including VPN, firewall, and policy routing. It effectively safeguards sensitive data and critical business networks from attacks and threats, providing a secure and trustworthy network environment. While your business rapidly expands, we are dedicated to protecting your digital assets.

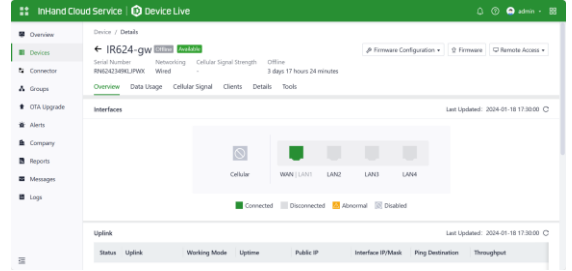


Cloud-Managed Networking Solution

The IR624 connects to the InHand Networks DeviceLive IoT device management platform to manage tens of thousands of distributed site devices in real time and grasp device status anytime and anywhere. Additionally, users can remotely connect to on-site devices through DeviceLive for diagnosis, debugging, and repair of distributed on-site devices. This reduces losses caused by equipment failures, making management easier, more efficient, and more economical!

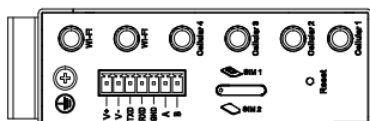
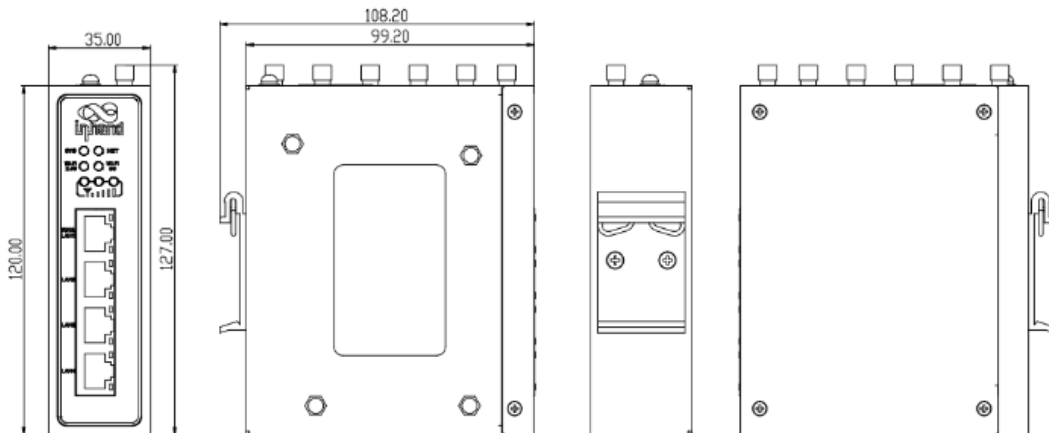


Control Panel



Device Details

Dimensions (mm)



Industrial Terminal					
V+	V-	TXD	RXD	GND	A B
Power supply		RS232		RS485	

Dimensions : 127 * 108.2 * 35mm

Product Specifications

InRouter624 Hardware Specifications			
Hardware Platform			
CPU	880MHz		
RAM	256MB		
Flash	128MB		
Interface			
Cellular	5G, downlink speed of up to 2Gbps, Sub6(450MHz to 6GHz), compatible with 4G/3G		
Ethernet Port	4*10/100/1000Mbps, Ethernet, WAN/LAN/VLAN 1.5KV network isolation transformer protection		
Power Supply	DC9-48V, over-current protection, anti-reverse connection, 2 PIN industrial terminal		
Serial Port	1 x RS232 and 1 x RS485 ESD protection: 15KV		
Reset	Reset button		
SIM Card	1 x Drawer-type slot, support dual-NANO SIM, 1.8 V/3 V eSIM (Optional)		
Antenna Interface	4 x SMA for 5G or 2 x SMA for 4G, 2 x RP-SMA for Wi-Fi		
Ground Terminal	Supports		
Indicator	1 x System, 1 x Cellular, 1 x 2.4G Wi-Fi, 1 x 5G Wi-Fi, 3 x Signal		
Hardware components			
RTC	Support		
Wi-Fi			
Dual Radio	2.4G / 5GHz Wi-Fi		
Transmission Bandwidth	5G: 867 Mbps 2.4G: 300 Mbps		
Protocol	802.11 ac/a/b/g/n Wave2 MU-MIMO		
Maximum Transmit Power	5G: 17dBm 2.4G: 17dBm		
Transmission Distance	50 meters by line of sight (Actual transmission distance depends on environment of the site.)		
Mechanical Features			
Dimensions	127x 108.2x 35mm	Weight	544g
Installation	Din-rail	Protection Rating	IP30
Housing	Metal	Cooling	Fanless
Power rate			
Standby Power	370-480mA@12V		
Working Power	415-530mA@12V		
Peak Power	530mA@12V		
Ambient Environment			
Storage Temperature	-40 ~ 85°C	Operating Temperature	-20~ 70°C
Ambient Humidity	5~95% (no condensing)		
EMC			
Static	EN61000-4-2, level 3		
Radiation Electric Field	EN61000-4-3, level 3		
Pulsed Electric Field	EN61000-4-4, level 3		
Surge	EN61000-4-5, level 3		
Conducted Disturbance Immunity	EN61000-4-6, level 3		
Shock Wave Resistance	EN61000-4-12, level 3		
Power Frequency Magnetic Field Resistance	EN61000-4-8, horizontal / vertical 400A/m (>level 2)		
Physical Specs			
Shockproof	IEC60068-2-27	Vibration Resistance	IEC60068-2-6
Free Fall	IEC60068-2-32		
Certificate			
CE, E-MARK, ECE R118, FCC*, IC*, PTCRB*, Verizon*, AT&T*, T-Mobile*			

Note: The functions marked with * are not available yet.

InRouter624 Software Specifications	
Network Connection	
Network Access	APN, VPDN
Access Authentication	CHAP/PAP
Network Type	WCDMA, TDD LTE/FDD LTE, 5G NR(SA/NSA) (Please refer to the Ordering Guide for frequencies)
LAN Protocol	ARP, Ethernet
WAN Protocol	Static IP, DHCP, PPPoE
Network Protocol	
Protocol & Application	TCP, UDP, IPv4, IPv6, ICMP, NTP, DNS, HTTP, HTTPS, SSL/TLS, ARP, VRRP, PPP, PPPoE, SSH, DHCP Server, DHCP Relay, DHCP Client, DDNS, Telnet, IP Passthrough
Routing	Static routing
Security	
Network Security	Support access control, NAT, port mapping and firewall filtering based on MAC/IP/port/protocol Support Policy-Based Routing Support 802.1X
Data Security	IPsec VPN, LZTP VPN
Reliability	
Backup	Interface backup
Dual SIM Failover	Supports dual SIM failover
Link Detection	Sends heartbeat packets to detect, auto redials when disconnected
Embedded Watchdog	Device runs self-detection, auto recovers from malfunctions
Wi-Fi	
Working Mode	AP, Client
Security	Open system, shared key, WPA/WPA2 certification WEP/TKIP/AES encryption
Wi-Fi Portal	Support
Intelligence	
DTU Functions	TCP / UDP transparent transmission mode Supports conversion of Modbus RTU to Modbus TCP bridge
Monitoring & Alerting	
Dash Board	Device information, interface status, and refined traffic statistics
Link Monitoring	Link delay, jitter, packet loss, and throughput
Log & Alarm	System logs, diagnostic logs, device events
QoS	
Traffic Shaping	Support
Remote maintenance	
Remote Access	Support Web/CLI remote access
Cloud Management	DeviceLive supports batch management, equipment monitoring, remote maintenance
Network Diagnostics	Support Ping, Traceroute and network packet capture tools
Configuration Backup	Support configuration import and export

Ordering Guide

Model code: IR624-<WMNN>-<WLAN/NA>-S

Model	<WMNN>: Cellular Type & Module	<WLAN/NA>: Wi-Fi	S: Serial
IR624-NRQ3-<WLAN/NA>-S	(For Global, 5G) 5G NR NSA: n1/2/3/5/7/8/12/13/14/18/20/25/26/28/29/30/38/40/41/48/66/70/71/75/76/77/78/79 5G NR SA: n1/2/3/5/7/8/12/13/14/18/20/25/26/28/29/30/38/40/41/48/66/70/71/75/76/77/78/79 LTE FDD: B1/2/3/4/5/7/8/12/13/14/17/18/19/20/25/26/28/29/30/32/66/71 LTE TDD: B34/38/39/40/41/42/43/48 LTE LAA: B46 WCDMA: B1/2/4/5/8/19	WLAN: Wi-Fi <NA>: no Wi-Fi	S: 1*RS232+1*RS485
IR624-NRF4-<WLAN/NA>-S	(For Europe & APAC, 5G) 5G NR: n1/3/5/7/8/20/28/38/40/41/71/77/78/66 LTE FDD: B1/3/5/7/8/20/28/71/66 LTE TDD: B38/40/41 WCDMA: B1/3/5/8	WLAN: Wi-Fi <NA>: no Wi-Fi	S: 1*RS232+1*RS485
IR624-FQ58-<WLAN/NA>-S	(For Europe & APAC, 4G LTE CAT4) LTE-FDD: B1/3/5/7/8/20/28 LTE-TDD: B34/38/39/40/41 WCDMA: B1/5/8 GSM: B3/8	WLAN: Wi-Fi <NA>: no Wi-Fi	S: 1*RS232+1*RS485
IR624-EN00-<WLAN/NA>-S	NA	WLAN: Wi-Fi <NA>: no Wi-Fi	S: 1*RS232+1*RS485
IR624-NRF2-<WLAN/NA>-S	(For China, 5G) 5G NR: n1/3/5/8/28/41/78/79 LTE FDD: B1/3/5/7/8 LTE TDD: B34/38/39/40/41 WCDMA: B1/5/8	WLAN: Wi-Fi <NA>: no Wi-Fi	S: 1*RS232+1*RS485
IR624-LQ20-<WLAN/NA>-S	(For China, 4G LTE CAT4) FDD: B1/3/5/8 TDD: B34/38/39/40/41 WCDMA: B1/5/8 GSM/EDGE: B3/8	WLAN: Wi-Fi <NA>: no Wi-Fi	S: 1*RS232+1*RS485
<p>Example: IR624-NRF4-WLAN-S: Four Gigabit Ethernet ports IR624 series cellular router with Wi-Fi, supports IPSec VPN and L2TP VPN, supports RS232 and RS485. Note: the product comes standard with suction cup antenna and Din-rail accessories.</p>			

About Us

InHand Networks is a leading IoT solutions provider founded in 2001, dedicated to driving digital transformation across industries and empowering customers to unlock their full potential and achieve accelerated growth.

We specialize in delivering industrial-grade connectivity solutions for diverse sectors, such as enterprise networks, industrial and building IoT, digital energy, smart commerce, and mobility. Our comprehensive product portfolio and services cater to various applications worldwide, including smart manufacturing, smart grid, intelligent transportation, smart retail, etc. With a global footprint spanning over 60 countries, we serve customers in China, the United States, France, Germany, the United Kingdom, Italy, and beyond.



3650 Concorde Pkwy, Suite 200,
Chantilly, VA 20151, USA
T: +1 (703) 348-2988
E: info@inhand.com
www.inhand.com